

VDSL2 Line Side Protection ITU-T Solution

Solution Products



TBU-CA050-500-WH



2031-15T-SM-RPLF

Design Kit



PN-DESIGNKIT-18

Objective

VDSL2 provides high-speed data rates of up to 30 MHz over twisted pair copper cable. The solution protects these ports against surge and power contact threats.

Solution

1 TBU[®] High-Speed Protector:
TBU-CA050-500-WH
1 GDT: 2031-15T-SM-RPLF

Compliance

ITU-T Basic K.20, K.21, K.45
ITU-T Enhanced K.20, K.21, K.45
(with properly selected transformer and capacitors)

Alternate Recommendations

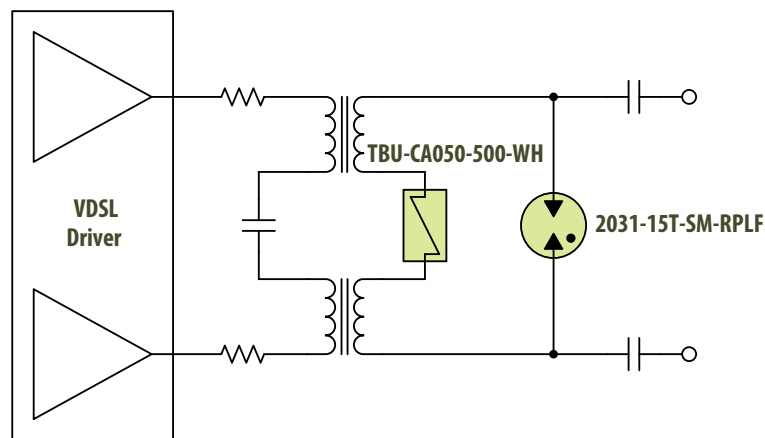
Other PortNote[®] Solutions:

- VDSL Driver Side Protection - ITU-T Solution

Variations of this circuit are available depending on specific design constraints; contact your local Bourns technical representative for more information.

Benefit

This solution provides protection on the line (input) side of the circuit without impairing the VDSL 30 MHz signal.



The schematic above illustrates the application protection and does not constitute the complete circuit design. Customers should verify actual device performance in their specific applications.